

**Please complete the following and return to**

**PCP Publications** 154-4-1, Kompleks Maluri, Jalan Jejaka, Taman Maluri, 55100 Kuala Lumpur.  
Tel: +603- 9281 8039 H/P : +6012-2967264 E-mail: elinaheng@pcp2u.my ( *Elina* )

Name of exhibiting company : \_\_\_\_\_

Nature of Business or Trade : \_\_\_\_\_

Contact person : \_\_\_\_\_ Designation : \_\_\_\_\_

Company Address : \_\_\_\_\_

Tel : \_\_\_\_\_ Fax : \_\_\_\_\_ H/P No : \_\_\_\_\_

Email address : \_\_\_\_\_

We hereby agreed for the following allotment of exhibition space for **13 - 15 August 2021** .

Booth	Price	KLPF CONCOURSE BOOTH	Amount
6m X 4m	RM 15,600		
4m X 4m	RM 10,800		
4m X 2m	RM 5,800		
Booth	Price	KLPF GALLERY BOOTH	Amount
3m X 2m	RM 4,500		
6m X 2m	RM 8,500		
<b>Total amount</b>			

**Payment**

(1) Payment schedule :

Exhibitors shall agree to the following schedule :

- Deposit of RM 1000 for each booth to secure the booking upon signing the contract.
- 50% of the total balance amount to be paid **Before 30 May 2021**
- Balance of total amount due on **30 June 2021**

(2) Payment method

- All cheques must be made payable to PCP Publications only
- Bank or TT to: **PCP Publications** Account No. : **5644 0960 3229 (MAYBANK)**
- Bank in slips to be emailed to elinaheng@pcp2u.my & jessicachan@pcp2u.my as proof of payment.

**Cancellation charges**

- Cancellation made on or **Before 30 June 2021** - 50% of total amount.
- Cancellation made on or **After 30 June 2021** - 100% of total amount.
- All Cancellation of reservations must be made in writing to the organizer.  
elinaheng@pcp2u.my & jessicachan@pcp2u.my

**Additional Terms & Conditions**

1. Exhibitors are allowed to offer only "legal goods" that are obtained through the manufacturer's principals or appointed distribution channels for Malaysian market. Grey Market goods are **NOT** permitted for sale in the KLPF.
2. Any Exhibitor who wishes to display the products of a principal who is also an Exhibitor at the KLPF, shall obtain prior written agreement from the principal before the KLPF.
3. All exhibitors are required to provide the list of brand-names of the products to be displayed at the KLPF.
4. The organiser reserves the right to take action against any exhibitor for infringement of this rule.

**List of brand-names of the products to be displayed at the KLPF 2021 :**

\_\_\_\_\_

\_\_\_\_\_

**By signing this document, the exhibiting company agrees to abide by the above terms and conditions including rules and regulations in the exhibitor's manual.**

Authorized signature : \_\_\_\_\_ Company stamp : \_\_\_\_\_

Booking Date : \_\_\_\_\_

<b>CONCOURSE BOOTH - Each 6m X 4m Booth</b>		<b>Standard</b>
A	Standard Cut out PVC sticker lettering of company name (excludes logo)	
B	Needles punch carpet	
C	Reception table	4
D	Folding chairs	8
E	13 amp power point with plugs	4
F	LED spotlight	8

<b>CONCOURSE BOOTH - Each 4m X 4m Booth</b>		<b>Standard</b>
A	Standard Cut out PVC sticker lettering of company name (excludes logo)	
B	Needles punch carpet	
C	Reception table	2
D	Folding chairs	4
E	13 amp power point with plugs	2
F	LED spotlight	6

<b>CONCOURSE BOOTH - Each 4m X 2m Booth</b>		<b>Standard</b>
A	Standard Cut out PVC sticker lettering of company name (excludes logo)	
B	Needles punch carpet	
C	Reception table	1
D	Folding chairs	2
E	13 amp power point with plugs	1
F	LED spotlight	3

<b>GALLERY BOOTH - Each 3m X 2m Booth</b>		<b>Standard</b>
A	Standard Cut out PVC sticker lettering of company name (excludes logo)	
B	Needles punch carpet	
C	Reception table	1
D	Folding chairs	2
E	13 amp power point with plugs	1
F	LED spotlight	2

<b>GALLERY BOOTH - Each 6m X 2m Booth</b>		<b>Standard</b>
A	Standard Cut out PVC sticker lettering of company name (excludes logo)	
B	Needles punch carpet	
C	Reception table	2
D	Folding chairs	4
E	13 amp power point with plugs	2
F	LED spotlight	4

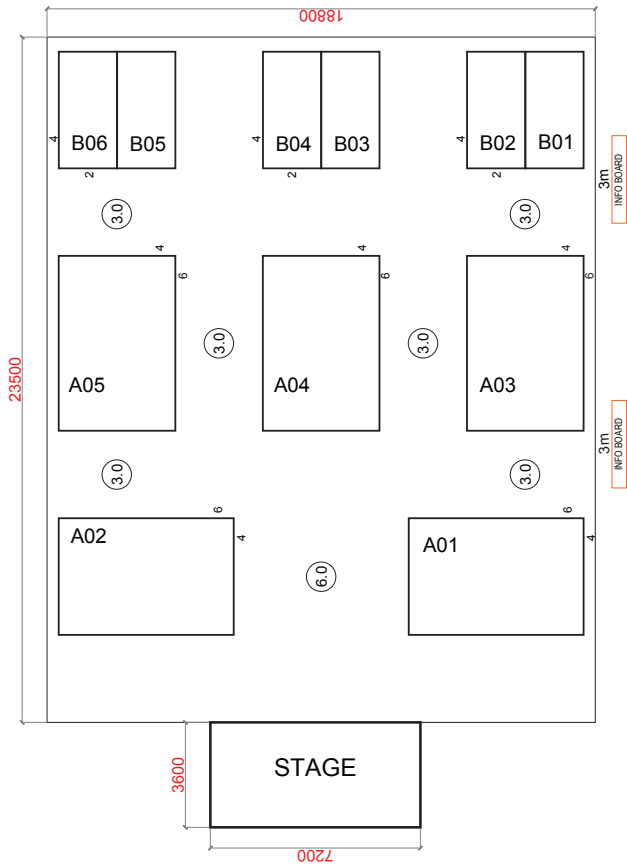
*\*Exhibitors who do not require the above shell-scheme cannot negotiate for a reduced participation fee. All costs, other than those offered by the organizers shall be borne by the respective exhibitors.*

# KUALA LUMPUR PHOTOGRAPHY FESTIVAL 2021

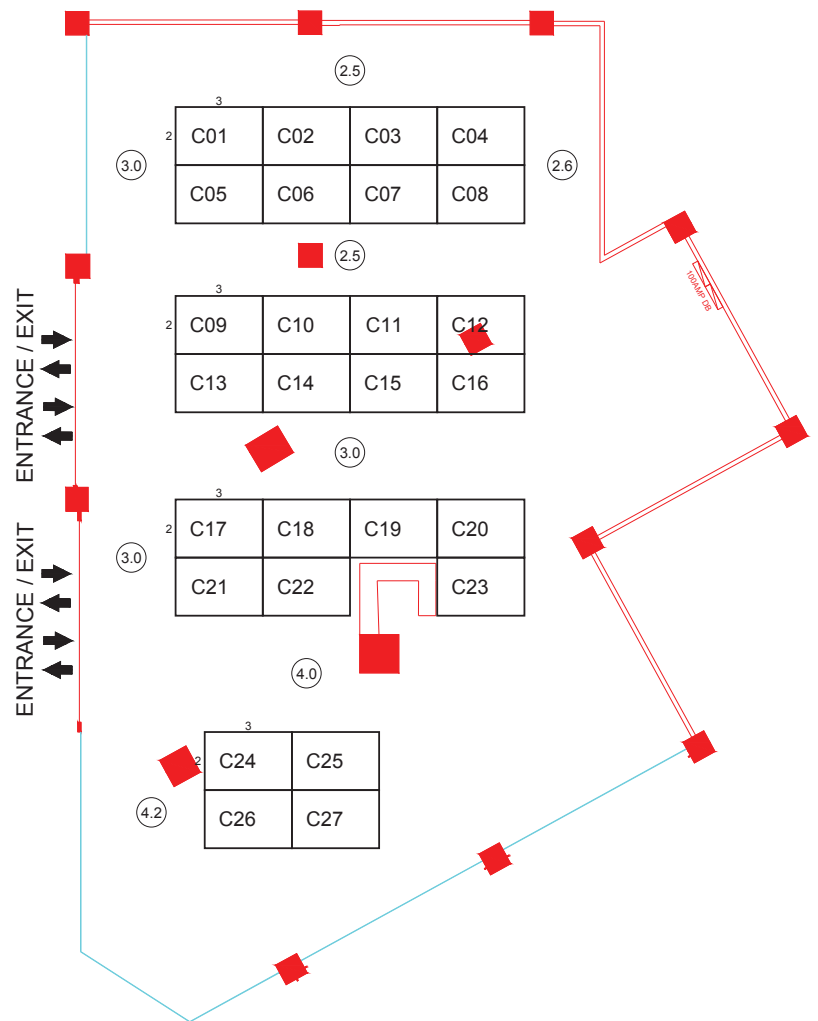
13 - 15 AUGUST 2021

## Viva Shopping Mall, Concourse Booth, Gallery Booth

### CONCOURSE



### GALLERY



Show/Project Title: KLPF 2021	Show Date: 13 - 15 AUGUST 2021	 ES EXHIBITION SERVICES SDN BHD (402057-T) No. 7, Jalan 1/118C, Desa Tun Razak 56000 Kuala Lumpur, Malaysia T: +603 9172 1598 F: +603 9171 5598 E: info@es-corp.co es-corp.co	Person In Charge: MANDY	Remarks: D21-KLPF-LAYOUT-VIVA (CONCOURSE)-01-8038 (SHOP LOT)-01-8038	Approved By:	
Venue/Address: VIVA, CONCOURSE VIVA, SHOP LOT	Client: PCP PUBLICATIONS		Designer: ASA		Date: 09 MARCH 2021	Date: